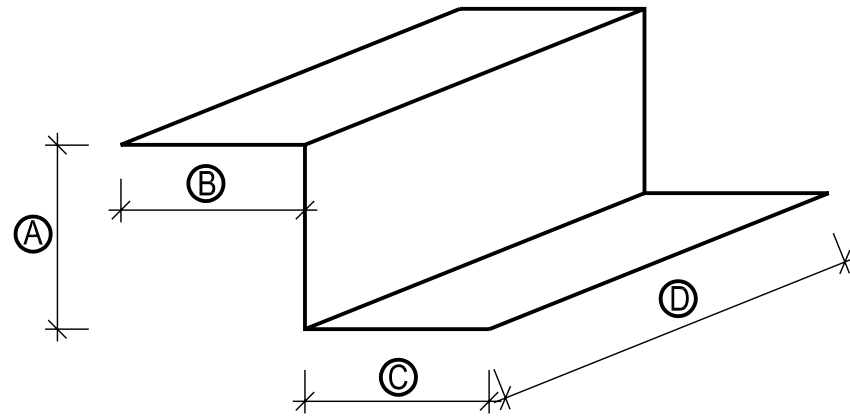


# METAL PANELS AND ACCESSORIES



'Z' FLASHING

SIZE

- Ⓐ \_\_\_\_\_
- Ⓑ \_\_\_\_\_
- Ⓒ \_\_\_\_\_
- Ⓓ \_\_\_\_\_

QUANTITY \_\_\_\_\_

GAUGE \_\_\_\_\_

MATERIAL \_\_\_\_\_

COLOR \_\_\_\_\_