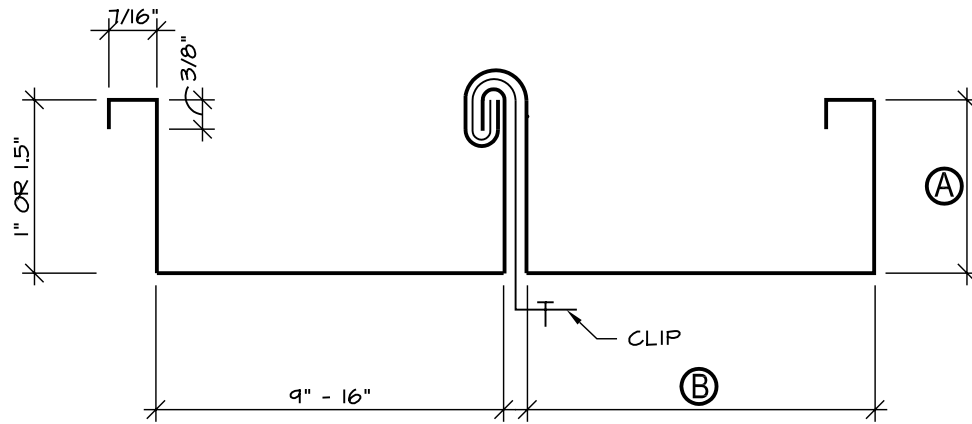
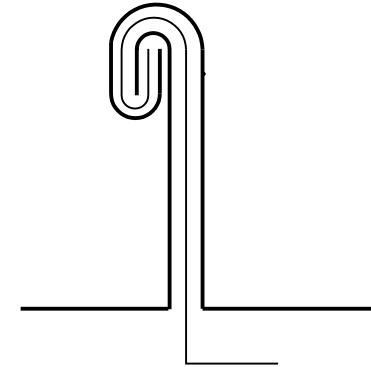


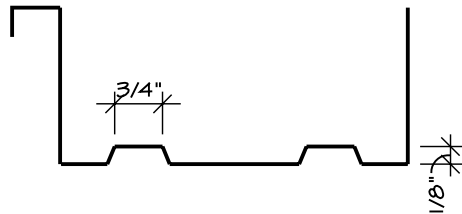
METAL PANELS AND ACCESSORIES



STANDING SEAM PANEL



FINISHED SEAM



FLAT RIB PROFILE
OPTIONAL

SIZE

Ⓐ _____
Ⓑ _____

QUANTITY _____ SQ. FT.

GAUGE _____

MATERIAL _____

COLOR _____

● PANEL LENGTHS TO BE DETERMINED