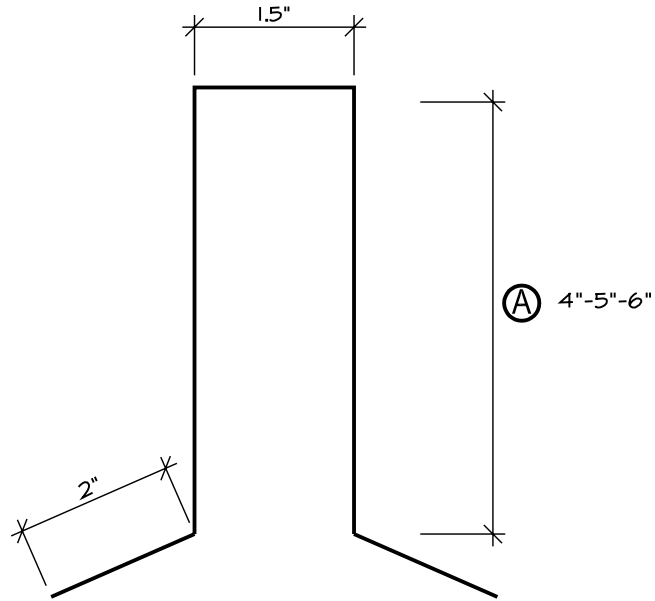


ROOF TILE ACCESSORIES



HIP and RIDGE ANCHOR

SIZE

Ⓐ _____

QUANTITY _____

GAUGE _____

MATERIAL _____

COLOR _____