

# ARCHITECTURAL METAL FLASHINGS

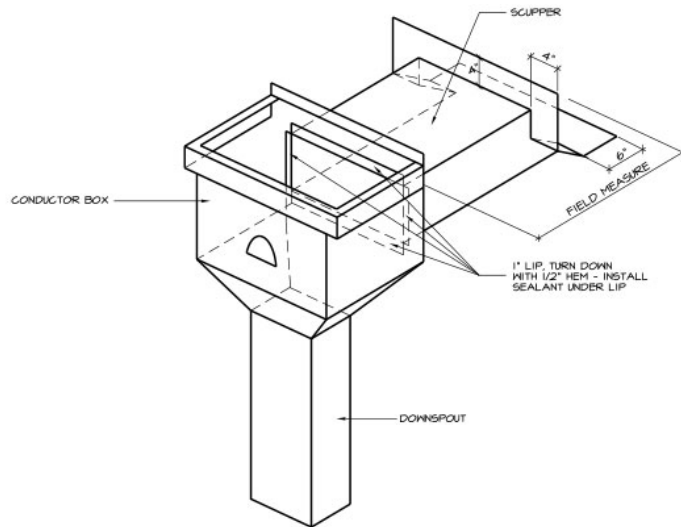
**Address:**

2659 NE 9th Avenue  
 Cape Coral, FL 33909  
**Phone:** (239) 221-0123  
**Fax:** (239) 221-0124  
**Email:** orders@amflashings.com

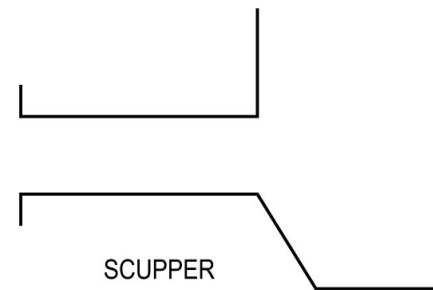
# Sales Order

Name	
Company Name	
Project Name	
Email	
Phone	
Signature	
Date	

## SCUPPER AND CONDUCTOR BOX



Quantity	Gauge	Material	Color



All quantities, dimensions, gauges, metal type and metal finish are to be listed on the order form. The form must be signed and dated  
 Please email or fax your completed form.