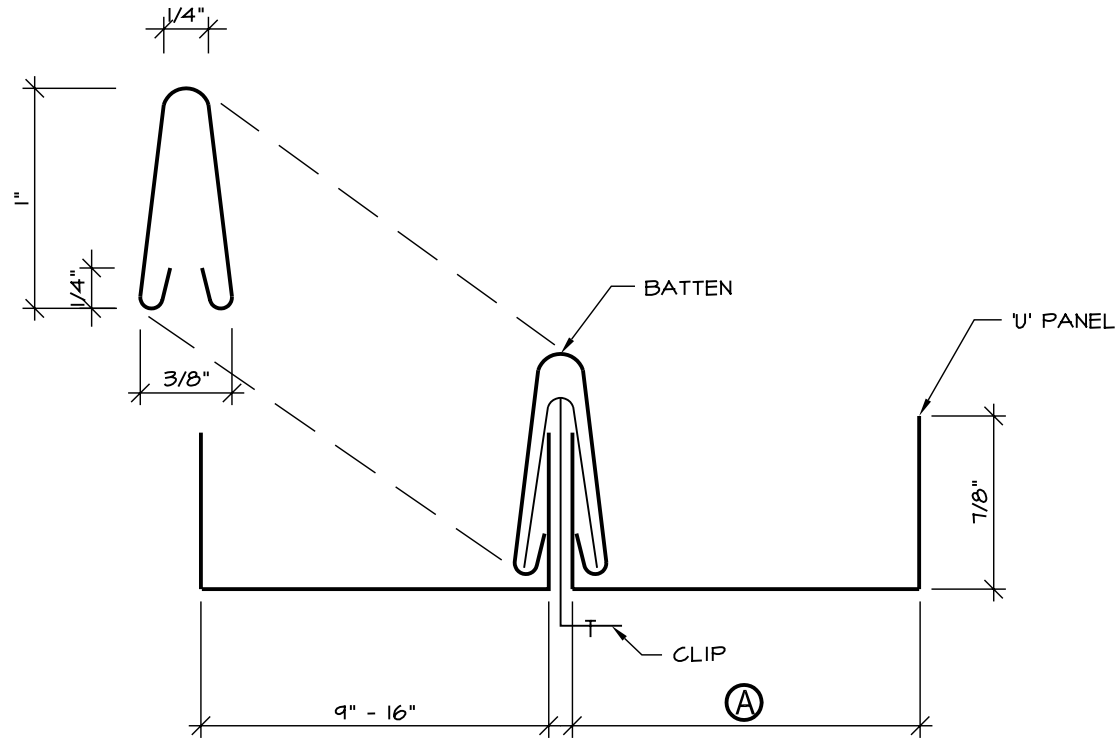
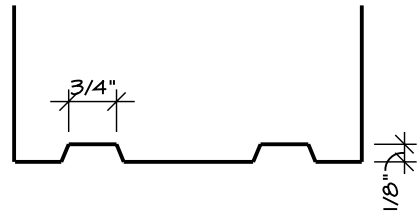


METAL PANELS AND ACCESSORIES



'U' PANEL



FLAT RIB PROFILE
OPTIONAL

SIZE
 (A) _____
 QUANTITY _____ SQ. FT.
 GAUGE _____
 MATERIAL _____
 COLOR _____

● PANEL LENGTHS TO BE DETERMINED