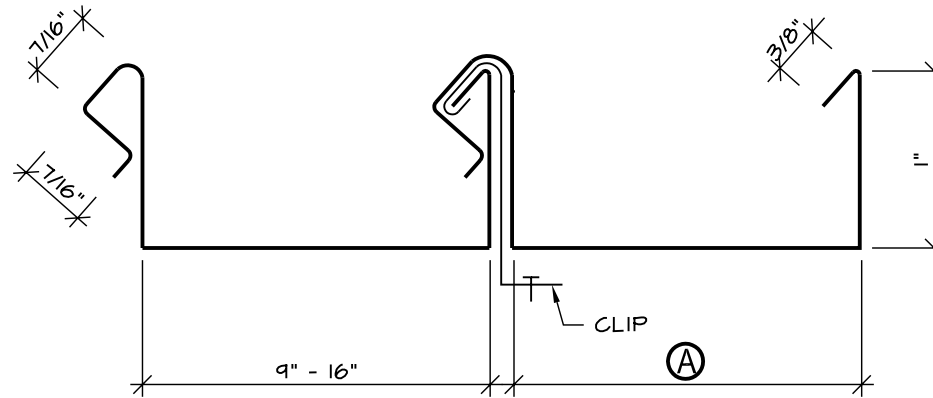
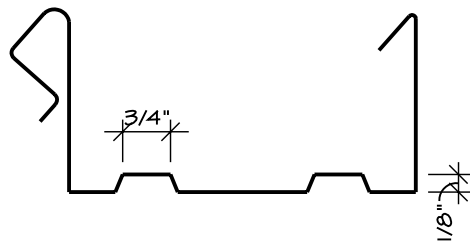


# METAL PANELS AND ACCESSORIES



SNAPLOCK PANEL



FLAT RIB PROFILE  
OPTIONAL

SIZE \_\_\_\_\_  
 ① \_\_\_\_\_  
 QUANTITY \_\_\_\_\_ SQ. FT.  
 GAUGE \_\_\_\_\_  
 MATERIAL \_\_\_\_\_  
 COLOR \_\_\_\_\_

● PANEL LENGTHS TO BE DETERMINED