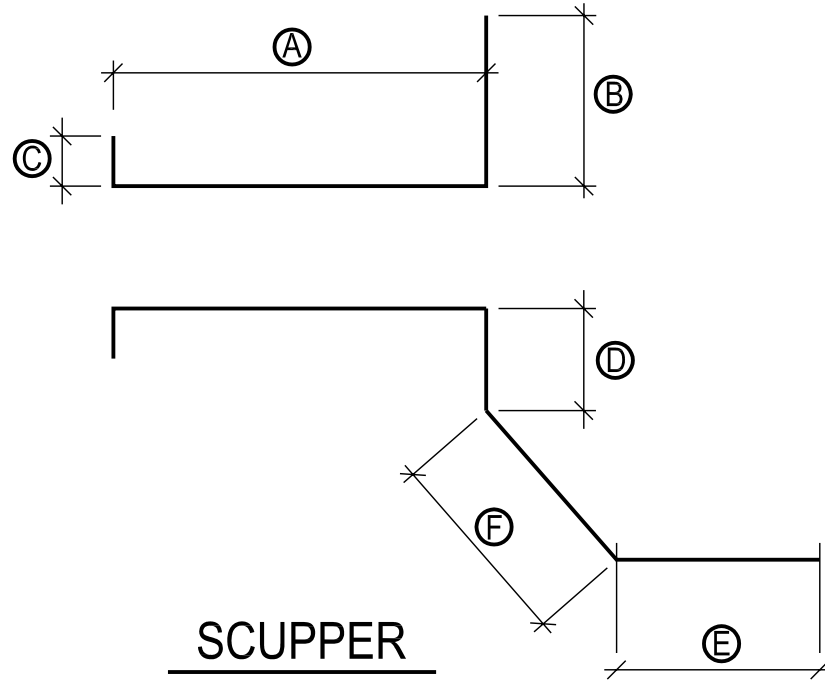


BOX GUTTER - DOWNSPOUT - CONDUCTOR BOX - SCUPPERS



SCUPPER

SIZE

- Ⓐ _____
- Ⓑ _____
- Ⓒ _____
- Ⓓ _____
- Ⓔ _____
- Ⓕ _____

QUANTITY _____

GAUGE _____

MATERIAL _____

COLOR _____